



VIC-T300C

Vehicle GPS Tracker User Manual

Add.: Unit C,D,10/F,Shenmao Bldg., News Rd., Futian, Shenzhen, China.
TEL: 86-755-82949136
FAX: 86-755-83736223
WEB: www.vic-zone.com

Copyright © May.14, 2008
Vic-zone co., ltd. All rights reserved.

Vic-zone Document

Printed in China

Vic-zone co., ltd.

Add.: Unit C, D, 10/F, Shenmao Bldg., News Rd., Futian, Shenzhen, China

TEL: 0755-82949136

FAX: 0755-83736223

WEB: www.vic-zone.com

Notice:

This manual, as well as the software described in it, is furnished under license and may be used or copied only in accordance with the terms of such license. The content of this manual is furnished for informational use only, is subject to change without notice, and should not be construed as a commitment by Vic-zone co., ltd. assumes no responsibility or liability for any inaccuracies that may appear in this book.

Vic-zone Co., ltd. reserves the right to make changes to specifications at any time and without notice. The information furnished by Vic-zone Co., ltd. in this publication is believed to be accurate and reliable; however, Vic-zone Co., ltd. assumes no responsibility for its use, or for infringements of patents or other rights of third parties resulting from its use. No license will be granted under any patents or patent rights owned by Vic-zone Co., ltd.

Table of Contents

I. Hardware installation.....	4
A. working directions.....	4
B. System introduction.....	5
C. Wiring Installation.....	6
1. Product Parts List	6
2. Precaution before Installation	7
3. Panel Description	7
4. Installation.....	8
5. Wiring Description.....	11
D. Operating Instructions.....	12
E. Hardware Specification.....	17

I Hardware installation

A. Working Directions

Thank you for your purchase of VIC-T300C Vehicle GPS Tracker. In order to realize the full functions of this product, please read this manual carefully before starting to use the product.

1. This product can only be maintained and repaired by qualified professional service personnel. If you detach this product for maintenance or repair, your warranty will be invalidated.
2. When connecting the other devices, read carefully their instruction manuals, so as to carry out correct installation; do not connect incompatible device.
3. Please use genuine original parts and qualified batteries and peripheral equipments, so as to avoid damage to this product.
4. As this product is a high-tech product, please read carefully this manual before starting to use the product, so as to avoid inappropriate operation.
5. Drivers should not operate this product while driving a vehicle, thereby, affecting safe driving.
6. This product can work properly only when GSM communication is in good condition.
7. Please reduce electromagnetic wave interference to the product; and use it properly.
8. GPS communication is liable to be affected by environmental shielding; may fail to carry out positioning during certain circumstances. It will resume the positioning function as soon as it leaves the shielding environment. This is normal. Please do not worry when encountering such problem.
9. Each signal sent out from the system will be confirmed for successful transmission in the base station of the mobile operator. However, if system stoppage occurs or if the mobile telephone is preset to a switch off state by the customer, it cannot ensure successful transmission.
10. For safety reason, do not tell the other people your VIC-T300C mobile number, without taking precautions. Otherwise, your privacy may be compromised along with other safety problem.

B. System Introduction

VIC-T300C is a high-tech product through cooperation with mobile operators. It combines GPS Global Positioning System and GSM communication system, which can clearly inform you the position & situation of your car.

GPS is the abbreviation for Global Positioning System, which based on 24 position location satellites around the earth orbit. Their locating precision can be kept within 10 to 15 meters.

GSM is the second digital mobile communication system (GPRS, second and fifth digital mobile communication system), and at present it is the mobile communication system that has the largest coverage and owns the most number of users. This product combines GPS and GSM/GPRS technologies together. It uses GPS system to locate your car, and sends the position/ situation report back to you via GSM/GPRS communication system.

With a delicate microphone, you can monitor the present situation in your car from a faraway place. You can use the telephone remote control function to set monitoring mode, which will report the situation of your car to you periodically.

C. Wiring Installation

1. Product Parts List

_ GPS Tracker Unit



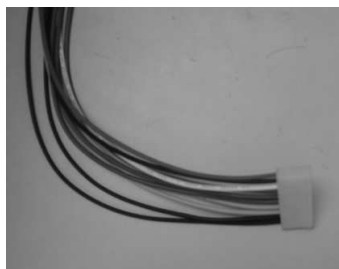
_ GPS Antenna



_ GSM Antenna



_ Car Charger Lighter Socket



2. Precaution before Installation

- _ Check if all the parts are included.

- _ Prepare a SIM card for GSM communication. Use some other mobile phone to confirm that the PIN code has not been set and that it can dial out and receive telephone calls without problem.

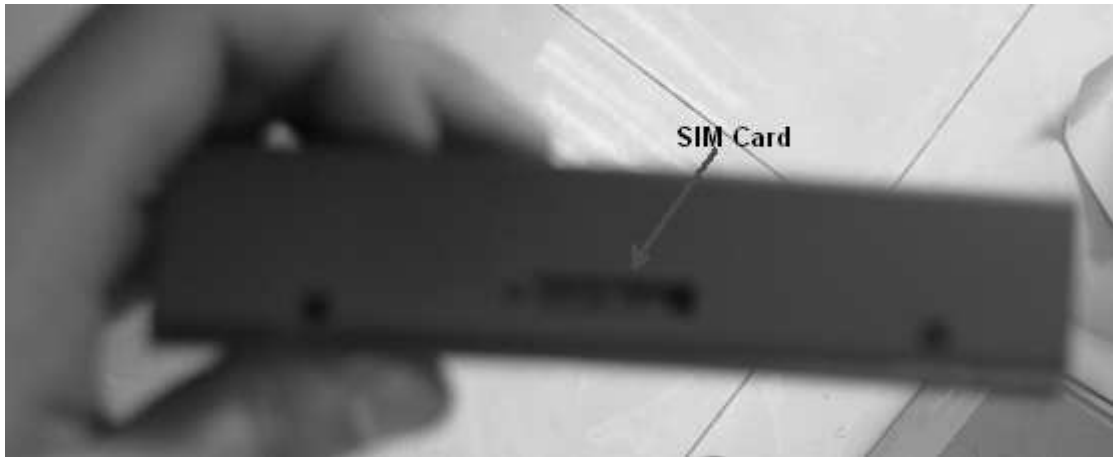
- _ Before install the SIM card; make sure to cut off power from the GPS Tracker unit. The correct installation method is to push the tray completely into the GPS Tracker unit, until you feel it is hooked by something.

- _ Find a suitable place inside the car for installing the unit.

- _ Check if all the wiring has been connected correctly; then connect the GPS Tracker unit to the power source.

3. Panel Description





4. INSTALLATION

Step 1: Install GSM Antenna

* Connect the GSM Antenna to the unit.

* Fasten the connection by turning the screw in the bottom.

Please do not swing round the antenna itself.

Step 2: Install SIM Card

(1) Using a speculate object to poke the small button of the SIM card seat, and then it will pop-up a small drawer.

(2) Put the SIM card in the drawer, and put back the drawer, as direction shown in the picture.

※ Make sure to turn off the power before install the SIM card.

※ Make sure to deactivate the PIN code, so that the SIM card can operate without PIN protection.

※ Before install the SIM card to the GPS Tracker, please use a mobile phone to make sure the SIM card can make & receive phone calls without problem.

※ Before install the SIM card to the GPS Tracker, please use a mobile phone to empty the SMS storage of the SIM card.

Step 3: Connect GSM Antenna

Step 4: Connect GPS Antenna

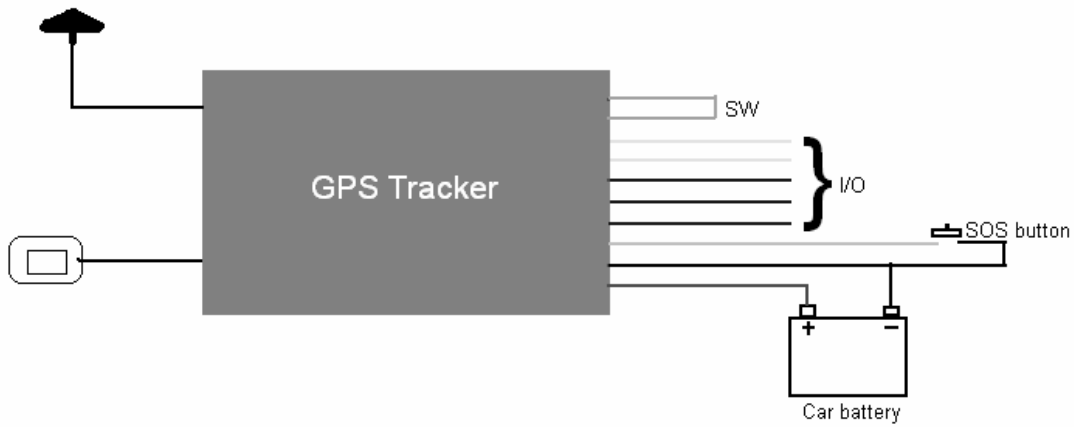
_ GPS antenna is used to receive satellite signals in the sky. It should be positioned at a place where it will have an unobstructed view of the sky. The ideal location is top of the dashboard or close to the rear window of the car.

_ GPS antenna can pick up signals through glass and plastic, but will not "see the sky" through metal or other conductive surfaces. To avoid distractions of GPS signal, make sure the antenna is not covered or shielded by any object containing metal, such as the metallic windshield.

_ If your car is with metallic windshield please cut a hole on the windshield above the place where you put the GPS antenna, so that the antenna can receive the GPS signals.

Step 4: Connect power charging

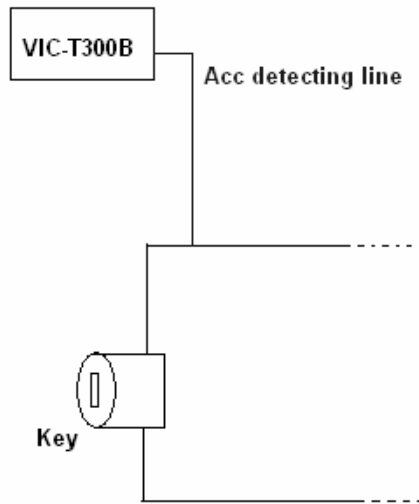
VIC-T300C connects to the car charger lighter socket.



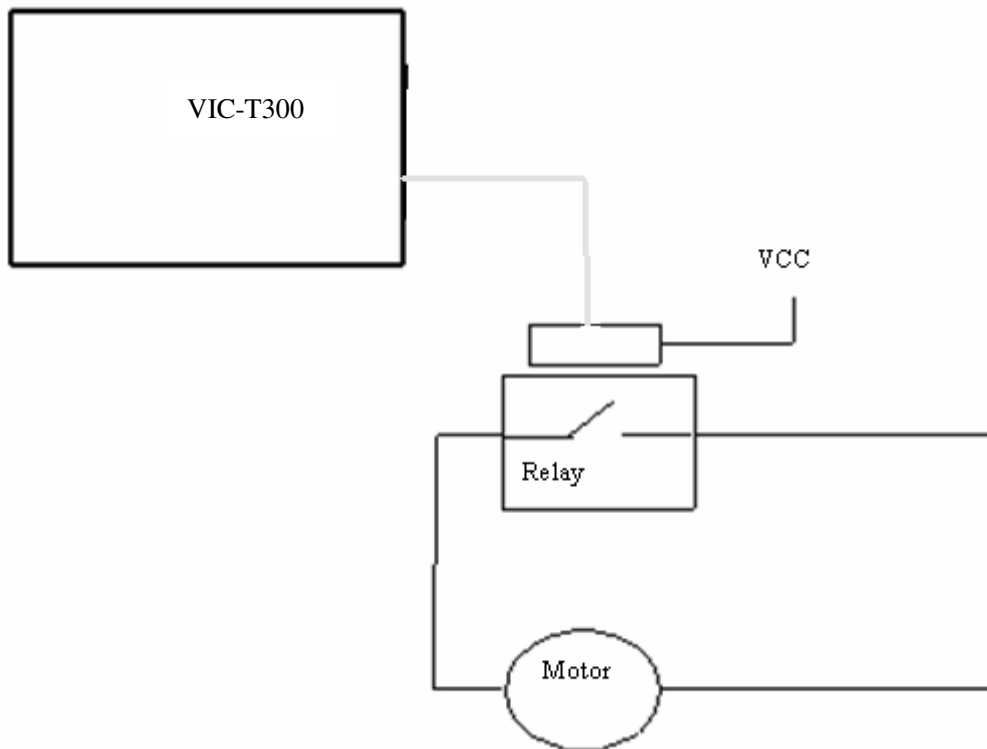
Introduction of T300C wires:

Pin	Color	function
1	Red	DC in Input voltage: 8-40V Suggestion: 12V
2	Black	GND
3	White	SOS button
4	Green	ACC signal detecting
5		Unused input ,for example you can use it to detect the signal of car alarm
6	Blue	SMS/GPRS mode switch, when the switch button is “on”, SMS mode; when it’s “off”, GPRS mode.
7	Grey	Output , starter kill relay you can use it to cut the electricity or oil of the car
8		Output , starter kill relay you can use it to cut the electricity or oil of the car
9	Black	Connect the power of mode switch
10	Black	Connect the power of mode switch

Input and output application example:



If you connect the ACC line, it can auto report the ACC state.



According to the relay parameter to make sure to following requirement:
The input voltage of relay must be suited to the car battery

D. Operating Instructions

SMS protocol of VIC-T300C, the default password of VIC-T300C is 000000

	SMS Instruction	Format	Remark
1	Request one position	V*****,000	
2	Modify user password	V*****,001,#####	***** is old password ##### is new password
3	Set the time interval of position refresh	V*****,002,XXX	XXX(3 digital) =000,stop =[1,999] time interval (unit: min)
4	Set a preset phone number for SOS button. When this button is pressed, VIC-T300C will send the SOS and position message to the preset number.	V*****,003,1,TelNumber	TelNumber: Preset Tel. number (TelNumber must <20 digits)
5	Set low power alarm When the VIC-T300C voltage is lower than the preset value, VIC-T300C will send one lower power alarm SMS to the control number.	V*****,004,X	X (voltage preset value) =0 , close (default) =1 , <3.5V send SMS alarm =2 , <3.6V send SMS alarm =3 , <3.7V send SMS alarm =4 , <3.8V send SMS alarm =5 , <3.9V send SMS alarm
6	Set over speed alarm When the VIC-T300C speed higher than the preset value, VIC-T300C will send one over speed alarm SMS to the control number.	V*****,005,XX	XX (the speed preset value) =00 , close =[01≤XX≤20] (unit: 10Km)
7	Set Geo-fence alarm When the VIC-T300C move out preset scope, VIC-T300C will send one Geo-fence SMS to the control number.	V*****,006,XX	XX (preset distance to original place) =00 close =01 30m =02 50m =03 100m =04 200m =05 300m =06 500m =07 1000m =08 2000m
8	Turn on/off the LED	V*****,007,X	X =1, turn on the LED display (default) =0, turn off the LED display

9	Inquire the system state	V*****,008	Including the software version, password, interval, speed limit, area limit, I/O state, LED display state, GPS state, SOS number, control number, etc.
10	Set the phone number These phone numbers can request one position through dialing.	V*****,014,X,telnumber	X:=1-5 position number of the phone number
11	Control the output	V*****,P,F	P: the position of the output =1 output 1 =2 output 2 F: the control signal =1 give the relay the current to drive it (cut off the car power) =0 cut off the current of the relay (comeback the normal)
12	Reboot the terminal	V*****,502	
13	Clear all parameter	V*****,888	Including all configure and password

1. Position Report Function

No matter where you are, when you want to know the position of your vehicle, send a SMS message or make a telephone call to the VIC-T300C; it will report its location back to you by SMS.

Edit a message as following format, and then send it to VIC-T300C

Format: V+Password+,+000

(Default password is: 000000)

For example: V000000,000

The VIC-T300C send back one SMS, which including the position information

Lat:2232.6022N,Lon:11402.2969E

This mean your position is on North Latitude 22 degree 32.2232 cent and East Longitude 114 degree 2.2969 cent

Apply for one position service by another way: you need pre-storage the phone number in SIM card

- (a) Make a cell phone call to VIC-T300C
- (b) After listening the ring of VIC-T300C, it will hold off after two rings.
- (c) Then, after 10 second, the cell phone will receive the Position SMS.
(its means is VIC-T300C will send Position Data every 5 minute.)

2. Tracking Function

Tracking report function can be turned on or off according to the requirements of the user. Tracking function will continually report vehicle position until it get stop command .In this tracking mode, VIC-T300C will send one position message at a preset time interval.

Step1.Edit a message as following format, then send it to VIC-T300C:

----- V+Password+,+002,+XXX

(Note: XXX Unit: preset minute interval

-- if XXX=000 it is STOP tracking)

For example: V000000,002,003

(It means is VIC-T300C will send Position Data every 3 minute.)

Step2. VIC-T300C will send back one SMS-----Set Time OK.

This SMS means that VIC-T300C is in tracking mode now and preset time interval is 3 minutes.

Step3. VIC-T300C will send back position SMS at preset time interval.

In this example, the SMS will send back at preset time interval: 3 minute

3. Stop tracking function.

This function is used to turn off tracking report function.

Edit a message as following format, and then send it to VIC-T300C:

Format: W+passwaord+,+002+,+000

For example: V000000,002,000

E. Hardware Specifications

Feature	Characteristics
Power Supply	+8V to +40V
Power Consumption For VBATT	Active mode(peak) < 1.0A Active mode(avg.) < 300mA Idle mode <50mA
Operating Temperature Range	-20°C to +60°C
Storage Temperature Range	-20°C to +70°C
Humidity	Up to 75% non-condensing
External Antenna	Connected via the 50Ω coax connector
External SIM Card	Connected via SIM Card connector
SIM card type	3V
Transmit Power	Class 4(2W) for E-GSM 900 and 850 Class 1(1W) for DCS 1800 Class 1(1W) for PCS 1900
Sensitivity	-104 dbm minimum for E-GSM 900 and 850 -102 dbm minimum for DCS 1800 -102 dbm minimum for PCS 1900
Dimensions	124*70*24mm

2.GPRS function(only for VIC-T300C):

This function is only support by VIC-T300C, when then mode switch is in the “ON” state, it means the VIC-T300C is in the SMS mode.

If you want to use the GPRS functions of the VIC-T300C, First you must set the GPRS parameter in the SMS mode.

A. Set the APN

Send the SMS to the tracker as following format

----- V+Password+,+011,+APN

For example: V000000,011,CMNET

B. Set the center IP and Port

Send the SMS to the tracker as following format

----- V+Password+,+012,+IP:Port

For example: V000000,012,121.34.241.160:8066

C. Set the terminal ID

Send the SMS to the tracker as following format

----- V+Password+,+015,+ terminal ID

The terminal ID is a 15 bit character string, it can be letter in capitalization or number.

For example: V000000,015,VICZONE00000001

After setting the parameter, let the mode switch in the "OFF" state. It will into the GPRS mode.

When the VIC-T300C connect to the monitor system, the power LED flash by 1 S. Then you can login in the TS680 to manage your car.

<http://121.41.241.160:9080/cargps>